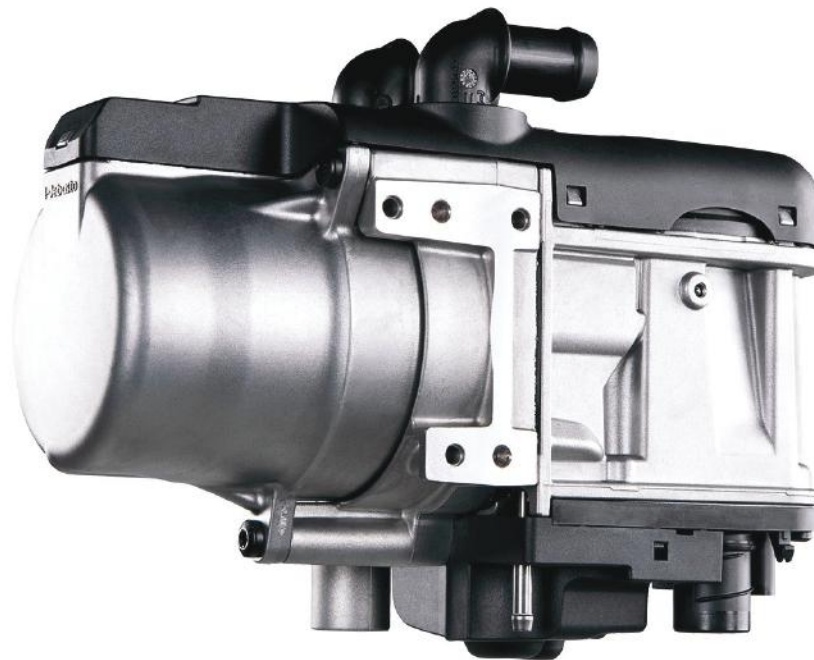


Thermo Top Evo

Next Generation Engine-Off Coolant Heater



Thermo Top Evo Benefits:

- More flexible installation options:
 - Coolant inlet & outlet connections can be rotated
 - Longer fuel line length
 - Higher maximum combustion air temperature
 - Universal controller harness
 - 1 standard, 4 available, mounting brackets
- Blink code diagnostics
- Quieter heater and fuel delivery operation

Engine pre-heat, fuel savings and improve DPF performance

As the industry leader in efficient thermo technologies, Webasto is committed to continuous advancements that improve equipment performance and occupant comfort. Therefore, we're pleased to introduce the Thermo Top Evo.

Featuring advancements in the fuel delivery system, controls, diagnostics and flexible installation, the Thermo Top Evo improves the user experience and continues the Webasto heritage as a leader in idle-reduction, fuel efficiency and emission control.

Technical Specifications

	Thermo Top Evo
Heating Flow [kW] (Partial Load / Full Load)	8,600 - 17,200 BTU/h (2.5 - 5.0 kW)
Fuel	Diesel, Arctic Diesel
Nominal Voltage (Suitability for special fuels)	12 V
Operating Voltage	10 to 16.5
Power Consumption (including coolant pump)	41 W
Power Consumption During Start-up at 12 V	14 Amps
Fuel Pump / Coolant Pump	DP 42 / U4847 econ
Noise Emission	61 dB
Dimensions (L x W x H) (without coolant pump)	8.54 x 3.58 x 5.79 in (217 x 91 x 147 mm)
Weight	4.6 lb. (2.1 kg)
Diagnostic	Blink Code, Diagnostic Tool

Available Thermo Top Evo Heater Kits:

Thermo Top Evo Diesel Kit w/SmarTemp Control *fx* 2.0 (12 V) - PN: 5013379A

Thermo Top Evo Diesel Kit (12 V) - Part Number: 5013378A

Thermo Top Evo Diesel Kit w/enclosure (12 V) - Part Number: 5013389A

Standard Kit Components:

- Integrated Control Unit
- On/Off Switch
- Fuel Metering Pump w/Mounting Bracket
- Fuel Line
- Fuel Filter
- Universal Fuel Standpipe
- Exhaust Tubing
- Combustion Air Tubing
- Wiring Harness w/ Fuse Holder
- Operation/Installation Manual
- 2 Year/2000 Hour Limited Warranty

SmarTemp Control *fx* 2.0 (optional):

Part Number 5010633C



- Programmable runtimes
- Adjustable LVD
- Ergonomic design
- Large backlit LCD screen

System Schematic

