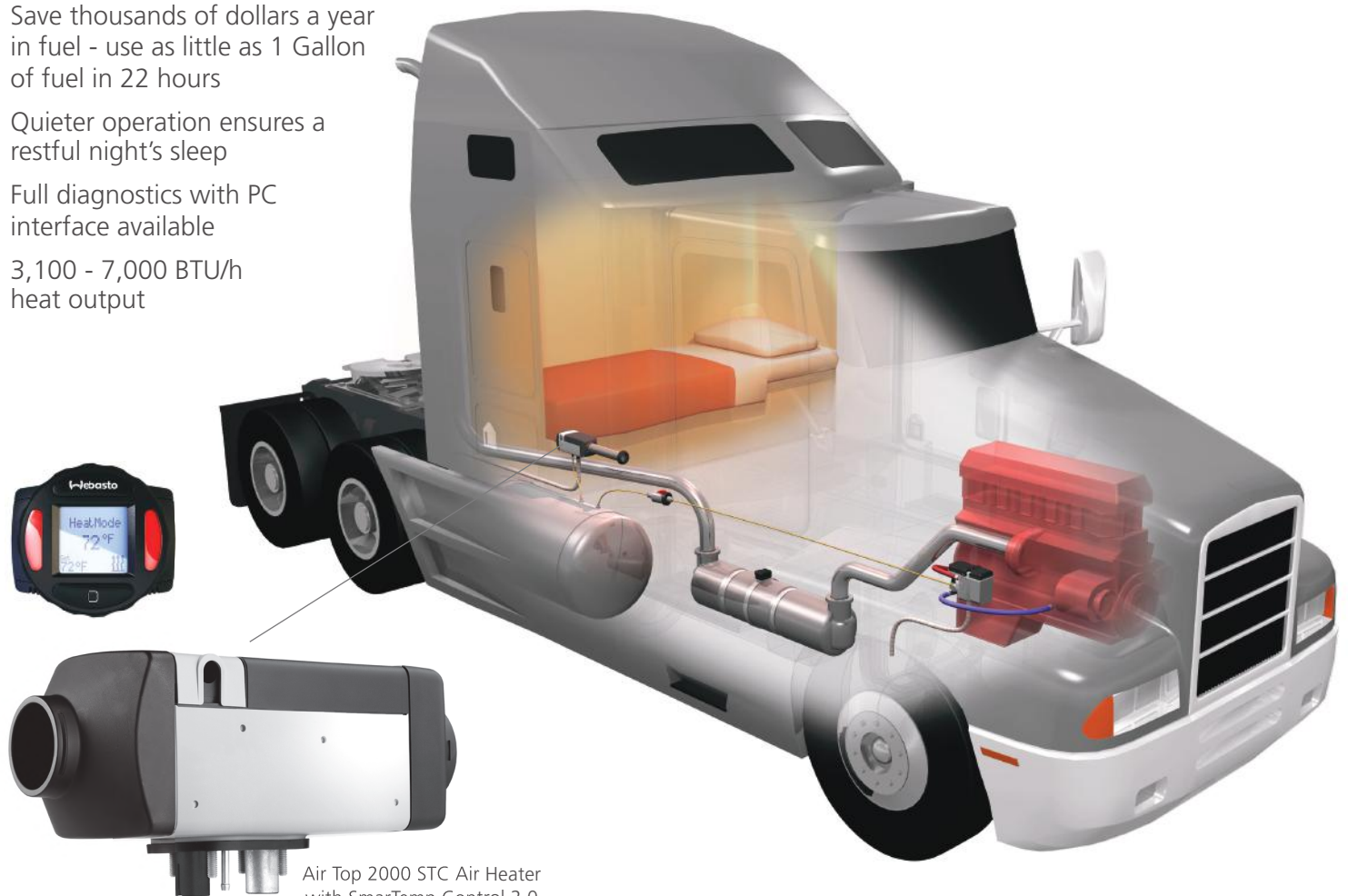


No-Idle Bunk Comfort | Save Money While You Sleep!

The Heater Of Choice By Drivers World-Wide

Webasto Air Heaters:

- Provide rapid cab heat without idling
- Save thousands of dollars a year in fuel - use as little as 1 Gallon of fuel in 22 hours
- Quieter operation ensures a restful night's sleep
- Full diagnostics with PC interface available
- 3,100 - 7,000 BTU/h heat output



Air Top 2000 STC Air Heater
with SmarTemp Control 2.0
(Precision Bunk Temperature Management
with Programmable Heater Start Time)



Fewer Emissions
Cleaner, better for
the environment



More Consistent Heat
Allows drivers to rest
more comfortably



More Efficient
Consumes less fuel



Higher Install Flexibility
More Installation Options



Lower Maintenance
Costs less to operate &
maintain over the life
of the heater

Technical Specifications

	Air Top 2000 STC
Heating Capacity	3,100 – 7,000 BTU/h (0.9 – 2.0 kW)
Fuel	Diesel #1, Diesel #2, Arctic, Biodiesel B5 & B20
Fuel Consumption	0.03 – 0.06 gal/h (0.12 – 0.24 l/h)
Rated Voltage	12 or 24 V
Operating Voltage Range	10.5 – 16 or 21 – 32 V
Rated Input	1.25 – 2.45 Amps (14 – 29 Watts)
Air Flow	55 cfm (93 m ³ /h)
Dimensions (L x W x H)	12.25 x 4.78 x 4.85 in (311 x 120 x 121 mm)
Weight	5.73 lbs (2.6 kg)

Available Heater Kits:

Air Top 2000 ST Diesel Kit with Rheostat (12 V) - Part Number: 5001114A

Air Top 2000 STC Diesel Kit with Rheostat (24 V) - Part Number: 5012553A

Air Top 2000 STC Diesel Kit with SmarTemp 2.0 (12 V) - Part Number: 5012555A

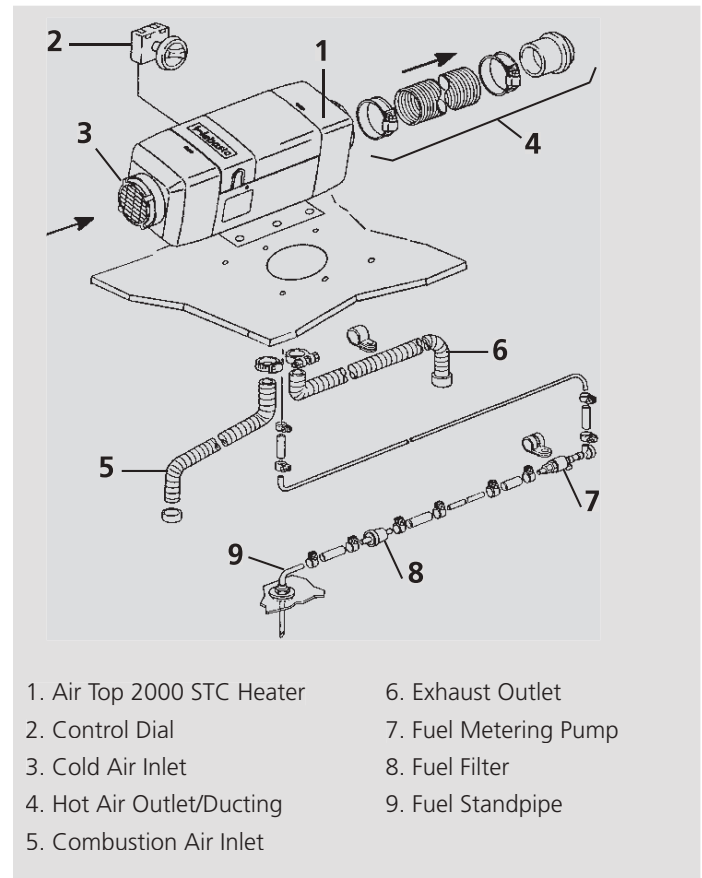
Standard Kit Components:

- Integrated Control Unit
- On/Off Switch with Variable Temperature Control
- Fuel Metering Pump w/Mounting Bracket
- Fuel Line and Fuel Filter
- Universal Fuel Standpipe
- Heater Mounting Bracket w/Gasket
- Wiring Harness w/Fuse Holder
- Exhaust Tubing
- Combustion Air Tubing and Heater Ducting
- Air Inlet/Outlet Vent
- Operation/Installation Manual
- 2 Year/2000 Hour Limited Warranty

Optional Accessories:

Remote Temperature Sensor - Part Number: 1319842A

System Schematic



- | | |
|----------------------------|-----------------------|
| 1. Air Top 2000 STC Heater | 6. Exhaust Outlet |
| 2. Control Dial | 7. Fuel Metering Pump |
| 3. Cold Air Inlet | 8. Fuel Filter |
| 4. Hot Air Outlet/Ducting | 9. Fuel Standpipe |
| 5. Combustion Air Inlet | |

SmarTemp Control 2.0 (optional):

for Air Top 2000 STC - Part Number 5010628B



- Programmable heater start time
- Ergonomic design
- Large backlit LCD screen
- Ambient temperature display